

INTERCEPT® Blood System for Platelets –Dual Storage (DS) Processing Set

Rx Only

Caution: US Federal law restricts this device to sale by or on the order of a licensed healthcare practitioner

March 10, 2016

INTENDED USE

The INTERCEPT Blood System for platelets is intended to be used for *ex vivo* preparation of pathogen-reduced Amicus apheresis platelet components suspended in 65% PAS-3/35% plasma, and Trima apheresis platelet components suspended in 100% plasma in order to reduce the risk of transfusion-transmitted infection (TTI), including sepsis, and to potentially reduce the risk of transfusion-associated graft versus host disease (TA-GVHD).

DEVICE DESCRIPTION

The INTERCEPT Blood System for platelets, DS Processing Set, contains a sterile, non-pyrogenic, single-use, integrated, fluid path platelet processing set (INT2510) comprised of four key components (See Table 1) and an ultraviolet (UVA) illumination device (INT100) for the *ex vivo* preparation and storage of pathogen reduced apheresis platelet components. The INT100 is a microprocessor controlled device designed to deliver a controlled amount of UVA light, wavelength 320 to 400 nm, to up to two illumination containers simultaneously. The device is programmed to be able to control, deliver, record and store intensity and duration of light dose for each cycle.

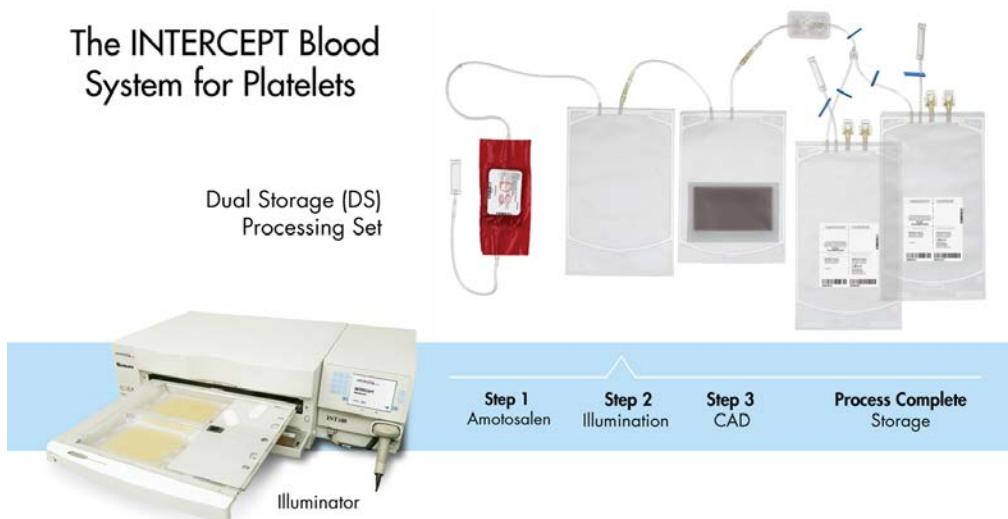
Table 1 Components of the INTERCEPT Platelet DS Processing Set (INT2510)

Component	Description
Amotosalen (S-59, psoralen derivative) solution container	17.5 mL, 3 mM amotosalen in 0.924% NaCl packaged in a 20 mL, flexible, heat-sealed plastic container, with an integral light-protective overwrap and sleeve
Illumination container	Heat-sealed, plastic bag
Compound Adsorption Device (CAD)	Immobilized beads (wafer) in mesh pouch
Platelet storage containers	Two platelet storage bags – 1300 mL storage capacity each

The operating principle for the INTERCEPT Blood System for platelets is illustrated below (Figure 1). Platelets collected by apheresis in a container are sterile connected to the Platelet DS Processing Set [INT2510]. The platelets flow through the amotosalen container into the illumination container. The illumination container is placed into the INT100 illumination device for UVA treatment while being mixed with horizontal agitation. Inactivation of potential pathogen or leukocyte contaminants in platelet components is achieved through a photochemical treatment process. Amotosalen (S-59, psoralen derivative), a chemical capable of binding to nucleic acids is added to platelets. UVA illumination (320 – 400 nm wavelengths) of amotosalen-treated platelet components induces covalent cross-linking of any nucleic acids to which amotosalen is bound; thereby, preventing further replication.¹ Treated platelets are then transferred to the CAD container to reduce the levels of residual amotosalen and free photoproducts. Finally, the platelet components are transferred through the in-line

filter to the storage container for use or storage at 20-24°C with continuous agitation for up to 5 days from the time of collection.

Figure 1 INTERCEPT Blood System for Platelets and Treatment Process



DEVICE PERFORMANCE

The INTERCEPT Blood System inactivates a broad spectrum of enveloped and non-enveloped viruses, Gram-positive and Gram-negative bacteria, spirochetes, parasites and leukocytes.²⁻²² There is no pathogen inactivation process that has been shown to eliminate all pathogens. Certain non-enveloped viruses (e.g., HAV, HEV, B19 and poliovirus) and *Bacillus cereus* spores have demonstrated resistance to the INTERCEPT process.

Table 2 Viral Reduction (Enveloped)⁴⁻¹⁴

Pathogen	Platelets in PAS-3 Log ₁₀ Reduction (pfu/mL) ^a	Platelets in 100% Plasma Log ₁₀ Reduction(pfu/mL) ^a
HIV-1 IIIB, cell-associated	≥5.4	≥ 4.7
HIV-1 IIIB, cell-free	≥5.6	d
HIV-1 Z84 (clinical isolate)	≥3.3	d
HIV-2 CLB-20 (clinical isolate)	≥2.4	d
DHBV ^b	≥4.8	≥4.3
BVDV ^c	≥4.4	>3.3
HTLV-I	4.7	d
HTLV-II	≥5.1	d
West Nile virus (WNV)	≥5.7	>3.7
Cytomegalovirus (CMV)	≥4.9	d
Pseudorabies virus (model for CMV)	d	≥4.2
Chikungunya virus (CHIKV)	≥5.7	>6.5
Dengue virus (DENV)	≥4.3	3.6
Influenza A virus	≥5.9	d

^a Based on input titer and post-treatment titer in 1 mL, data obtained in platelets in PAS-3 or plasma components unless otherwise noted

^b DHBV model virus for HBV

^c BVDV model virus for HCV

^d = Not tested

Table 3 Viral Reduction (Non-Enveloped)^{4,17}

Pathogen	Platelets in PAS-3 Log ₁₀ Reduction (pfu/mL) ^a	Platelets in 100% Plasma Log ₁₀ Reduction (pfu/mL) ^a
Calicivirus (model non-enveloped virus)	2.1	0.9
Adenovirus	≥4.9	≥5.3
Blue tongue virus (model non-enveloped virus)	4.4	^b

^a Based on input titer and post-treatment titer in 1 mL, data obtained in platelet components in PAS-3 or plasma components unless otherwise noted

^b = Not tested

Table 4 Bacterial Reduction^{15,16}

Pathogen	Platelets in PAS-3 Log ₁₀ Reduction (cfu/mL) ^a	Platelets in 100% Plasma Log ₁₀ Reduction (cfu/mL) ^{a, b}
Gram-Negative Bacteria		
<i>Klebsiella pneumoniae</i>	5.8	5.9
<i>Escherichia coli</i>	≥6.3	>5.9
<i>Serratia marcescens</i>	≥6.7 ^c	>7.1
<i>Pseudomonas aeruginosa</i>	≥3.9	≥6.8
<i>Salmonella choleraesuis</i>	6.2	>5.9
<i>Enterobacter cloacae</i>	5.5	≥6.0
<i>Yersinia enterocolitica</i>	≥5.9	>6.3
Gram-Positive Bacteria		
<i>Staphylococcus epidermidis</i>	≥6.1	>6.1
<i>Staphylococcus aureus</i>	≥5.4	≥6.1
<i>Listeria monocytogenes</i>	≥6.3 ^c	>6.6
<i>Corynebacterium minutissimum</i>	≥5.3	>6.4
<i>Streptococcus pyogenes</i>	≥6.8 ^c	>6.1
<i>Bacillus cereus (vegetative)</i>	≥5.5	≥5.6
<i>Bacillus cereus (spore forming)</i>	3.7 ^c	^d
Anaerobic Gram-Positive Bacteria and Spirochete Bacteria		
<i>Bifidobacterium adolescentis</i>	≥6.0	^d
<i>Propionibacterium acnes</i>	≥6.5	>6.7
<i>Clostridium perfringens (vegetative)</i>	≥6.5	>6.0
<i>Lactobacillus species</i>	≥6.4	>6.1
<i>Treponema pallidum</i>	≥6.4	^b
<i>Borrelia burgdorferi</i>	≥6.8	^b

^a Based on input titer and post-treatment titer in 1 mL, data obtained in platelet components in PAS-3 or plasma components unless otherwise noted

^b Study in progress

^c Based on culture of full platelet unit (300 mL)

^d = Not tested

Table 5 Protozoa Reduction¹⁹⁻²¹

Pathogen	Platelets in PAS-3 Log ₁₀ Reduction (pfu or cfu/mL) ^a	Platelets in 100% Plasma Log ₁₀ Reduction (pfu or cfu/mL) ^a
<i>Plasmodium falciparum</i>	≥5.6	c
<i>Babesia microti</i>	≥4.9	c
<i>Trypanosoma cruzi</i>	≥5.3	>5.5
<i>Leishmania mexicana</i> (metacyclic promastigote stage)	≥5.0	b

^a Based on input titer and post-treatment titer in 1 mL, data obtained in platelet components in PAS-3 or plasma components unless otherwise noted

^b = Not tested

^c Study in progress

The INTERCEPT process for platelets reduces a broad spectrum of bacteria by > 4 log₁₀ (Table 4) to lower the risk of microbial contamination of blood components.²¹ Bacterial spores are resistant to inactivation by the INTERCEPT Blood System for platelets.

Contaminating T cell activity is reduced by the INTERCEPT treatment, potentially lowering the risk of transfusion-associated graft versus host disease (TA-GVHD).²²⁻²⁷ Using a limiting dilution assay (LDA), platelets processed with the INTERCEPT Blood System exhibited a 4 log₁₀ reduction of viable T-cells. Using a DNA modification assay, platelets processed with the INTERCEPT Blood System demonstrated an average of one amotosalen adduct every 83 base pairs in leukocytes.

In vitro Characterization of Platelet Components Processed with the INTERCEPT Blood System.

In vitro platelet function characteristics were evaluated in prospective, randomized, paired, controlled, *in vitro* studies in healthy subjects of INTERCEPT apheresis platelet components compared to unprocessed (control) platelet components. Each study subject donated a single- or double-apheresis platelet component, during each of the two donation periods. Components from the platelet donations were randomized to produce INTERCEPT processed platelet components or control platelet components. *In vitro* platelet function of the platelet components was evaluated on day 5 after apheresis donation. The physical and metabolic characteristics for evaluation included: component volume platelet count, platelet volume (MPV), pH_{22-c}, pO₂, pCO₂, HCO₃, morphology, supernatant LDH activity, P-selectin, total ATP, extent of shape change, hypotonic shock response, supernatant glucose, and supernatant lactate. Trima platelets suspended in 100% plasma were evaluated further.

1. Storage in 65% PAS-3/35% Plasma:

63 single-dose and double-dose Amicus platelet collections containing 2.9 - 8.0×10¹¹ platelets in PAS-3 treated with the INTERCEPT Blood System for platelets and stored for 5 days retained presumptively therapeutically effective platelet doses (mean of 3.7 x 10¹¹ platelets and lower bound of the 95% confidence interval (CI) for the proportion of INTERCEPT processed platelet components retaining >3.0×10¹¹ platelets was 78.3%) with an average dose recovery after INTERCEPT treatment of 91.19% (95% CI: 89.7%-92.7%), and with retention of adequate *in vitro* metabolic and functional properties (Table 6).

Table 6 *In Vitro* Platelet Function Characteristics of INTERCEPT (I) and Control (C) Platelets in PAS-3 After 5 Days of Storage (Mean +/- SD (median) [range]; n=63)

	INTERCEPT	Control	95% CI for Treatment Difference (I-C)	INTERCEPT within ± 20% of Control, # / N (%)
Platelet Component Characteristics				
Component volume (mL)	279±74 (327) [162-382]	288±74 (317) [152-400]	-14.4 to -3.7*	60/63 (95.2%)
Platelet count (×10³/μl)	1383±341(1368) [717-2002]	1482±375 (1408) [730-2250]	-148.1 to -51.0*	53/63 (84.1%)
Platelet dose (×10¹¹ cells/unit)	3.7±0.8 (3.5) [2.5-6.1]	4.0±0.6 (3.9) [2.3-5.5]	-0.5 to -0.2*	51/63 (81.0%)
MPV (fL)¹	8.1±0.8 (8.1) [6.7-10.6]	8.1±0.9 (8.0) [6.7-10.4]	-0.1 to 0.2	58/58 (100%)
Indices of Platelet Metabolism				
pH at 22°C	7.02±0.11(7.04) [6.78-7.20]	7.03±0.12 (7.03) [6.73-7.25]	-0.04 to 0.02	63/63 (100%)†
pO₂ (mm Hg)	130±21(134) [66-168]	124±20 (128) [70-154]	-1.0 to 13.2	39/63 (61.9%)
pCO₂ (mm Hg)	20±6 (20) [10-32]	24±6 (24) [13-35]	-4.4 to -2.4*	36/63 (57.1%)
HCO₃⁻ (mmol/L)²	3.2±1.1 (3.1) [1.0-5.3]	3.8±1.3 (4.0) [2.0-7.0]	-0.9 to -0.3*	23/60 (38.3%)
Supernatant glucose (mg/dL)³	21.5±24.0 (18.5) [0.0-127.8]	15.5±23.3 (2.0) [0.0-120.6]	1.2 to 10.9*	29/61 (47.5%)
Supernatant lactate (mmol/L)	11±2 (11) [7-15]	12±3 (13) [7-19]	-1.99 to -0.82*	43/63 (68.3%)
Total ATP (nmol/10⁸ Plts)	4.70±1.95 (4.20) [1.07-9.39]	4.47±1.72 (4.28) [1.20-10.25]	-0.22 to 0.70	24/63 (38.1%)
Indices Correlating with In Vivo Recovery, Survival and Function				
Morphology	257±47 (249) [176-360]	251±45 (246) [186-360]	-3.1 to 14.6	52/63 (82.5%)
Extent of Shape Change (ESC; %)	12.2±8.1 (12.3) [1.0-49.0]	11.9±9.1 (10.1) [0.0-32.6]	-2.1 to 2.7	12/63 (19.0%)
Hypotonic Shock Response (HSR; %)	28±18 (28) [0-56]	30±19 (30) [0-62]	-4.8 to 1.9	32/63 (50.8%)
Indices of Granular and Cytoplasmic Content Retention				
LDH activity (IU/L)	149±92 (118) [10-581]	142±83 (115) [60-460]	-10.9 to 26.4	29/63 (46.0%)
LDH (IU/10¹² Plts)	110±54 (100) [8-329]	97±49 (82) [35-270]	0.1 to 25.8*	19/63 (30.2%)
P-selectin (%)⁴	36.98±16.22 (31.75) [7.93-83.31]	33.70±13.96 (29.76) [9.28-74.47]	0.21 to 6.35*	19/60 (31.7%)

¹n=58; ²n=60; ³n=61; ⁴n=60

* Statistically significant difference (p<0.05) between INTERCEPT and Control

†The analysis criterion is ≥ 6.2 for pH_{22°C}.

2. Storage in 100% Plasma:

- a. 67 single-dose and double-dose Trima platelet collections suspended in 100% plasma containing $3.1-7.9 \times 10^{11}$ platelets in 100% plasma treated with the INTERCEPT Blood System for platelets and stored for 5 days showed a mean platelet dose of 3.5×10^{11} (the lower bound of the 95% CI for the proportion of INTERCEPT processed platelet components retaining $>3.0 \times 10^{11}$ platelets/component was 67.6%) with an average dose recovery after INTERCEPT treatment of 86.7%, (95% CI: 85.7%-87.7%). *In vitro* results are included in Table 7.

Table 7 In Vitro Platelet Function Characteristics of INTERCEPT (I) and Control (C) Platelets in 100% Plasma After 5 Days of Storage (Mean +/- SD (median) [range]; n=67)

	INTERCEPT	Control	95% CI for Treatment Difference (I-C)	INTERCEPT within $\pm 20\%$ of Control, # / N (%)
Platelet Component Characteristics				
Component volume (mL)	280.8 \pm 70.2 ¹ [183.5-365.1]	289.9 \pm 69.6 [198.4-378.2]	-14.4 to -4.0*	65/67 (97.0%)
Platelet count ($\times 10^3/\mu\text{l}$)	1313 \pm 254 ¹ [795-1955]	1420 \pm 261 [883-1941]	-148 to -69*	57/66 (86.4%)
Platelet dose ($\times 10^{11}$ cells/unit)	3.5 \pm 0.7 ¹ [2.4-5.2]	4.0 \pm 0.6 [2.9-5.1]	-0.5 to -0.3*	56/66 (84.8%)
MPV (fL)¹	7.3 \pm 1.0 [5.9-10.4]	7.4 \pm 0.9 [6.0-11.4]	-0.3 to -0.0*	64/65 (98.5%)
Indices of Platelet Metabolism				
pH at 22°C	7.2 \pm 0.3 ¹ [5.7-7.5]	7.4 \pm 0.1 [7.1-7.6]	-0.3 to -0.2*	66/67 (98.5%)†
pO₂ (mm Hg)	131 \pm 17 ¹ [69-175]	121 \pm 18 [56-158]	4 to 16*	48/67 (71.6%)
pCO₂ (mm Hg)	31 \pm 7 ¹ [19-46]	30 \pm 5 [20-43]	0 to 2*	60/67 (89.6%)
HCO₃⁻ (mmol/L)	7.6 \pm 2.7 ¹ [0.3-13.0]	11.3 \pm 2.0 [7.0-17.0]	-4.4 to -3.2*	15/66 (22.7%)
Supernatant glucose (mg/dL)	225 \pm 54 ¹ [104-481]	268 \pm 52 [183-510]	-54 to -32*	40/66 (60.6%)
Supernatant lactate (mmol/L)	11.2 \pm 3.9 ¹ [5.8-26.6]	8.3 \pm 2.1 [4.6-13.9]	2.1 to 3.7*	21/66 (31.8%)
Total ATP (nmol/10⁸ Plts)	4.6 \pm 1.4 ¹ [0.8-7.8]	5.0 \pm 2.0 [1.4-13.1]	-0.8 to 0.1	31/66 (47%)
Indices Correlating with In Vivo Recovery, Survival and Function				
Morphology	307 \pm 39 ¹ [203-367]	299 \pm 42 [185-366]	-4 to 21	53/66 (80.3%)
Extent of Shape Change (ESC; %)	23.1 \pm 5.0 ¹ [13.2-34.2]	26.9 \pm 5.1 [16.3-39.5]	-4.7 to -3.2*	51/66 (77.3%)
Hypotonic Shock Response (HSR; %)	59 \pm 9 ¹ [40-83]	58 \pm 10 [36-82]	-2 to 3	54/66 (81.8%)
Indices of Granular and Cytoplasmic Content Retention				
LDH activity (IU/L)	169 \pm 56 ² [76 - 483]	141 \pm 28 [62 - 277]	16 to 42*	40/67 (59.7%)
LDH (IU/10¹² Plts)	130 \pm 4 ¹ [55-307]	102 \pm 27 [49-252]	20 to 36*	28/66 (42.4%)

P-selectin (%)	20.5±8.5 ¹ [3.8-44.6]	14.3±6.1 [2.4-35.4]	4.6 to 7.8*	19/66 (28.8%)
-----------------------	-------------------------------------	------------------------	-------------	---------------

¹ n=66; ² Value for one sample on Day 6

* Statistically significant difference (p<0.05) between INTERCEPT and Control

†The analysis criterion is ≥ 6.2 for pH_{22°C}.

- b. 260 single-dose and double-dose Trima apheresis platelet collections suspended in 100% plasma containing platelet doses of 3.0 to 7.7×10^{11} platelets in 270 to 417 mL plasma with platelet count ranging from 963×10^3 to 1891×10^3 platelets/ μ L, and stored for 5 days were evaluated for pH_{22°C}, platelet dose, and platelet dose recovery. Day 5 INTERCEPT Trima platelet components in 100% plasma contained, on average, 3.6×10^{11} platelets in 313 mL total volume with a lower bound of the 95% CI for the proportion of INTERCEPT processed platelet components retaining $>3.0 \times 10^{11}$ platelets of 85%. The dose and volume recovery post- INTERCEPT process were $86.5 \pm 5.0\%$ and $92.6 \pm 1.8\%$ (95% CI for dose recovery: 85.9%-87.1% and 95% CI for volume recovery: 92.4%-92.8%), respectively. Summary of evaluation criteria for pH_{22°C}, platelet dose, and platelet dose recovery are provided in Table 8 by INTERCEPT processing set.

Table 8 Evaluation Criteria of INTERCEPT Trima Platelet Components Suspended in 100% Plasma by Processing Set

Test	Recommended Threshold and Criterion	INTERCEPT Processing Set	Proportion of INTERCEPT Components Meeting Threshold (#/N, [%])	1-Sided 95% CI
Day 5 pH _{22°C}	≥ 6.2	SV	24/24 [100%]	$\geq 88.3\%$
		LV	9/9 [100%]	$\geq 71.7\%$
		DS	230/231 [99.6%]	$\geq 98.0\%$
Day 5 Dose	$\geq 3.0 \times 10^{11}$	SV	21/24 [87.5%]	$\geq 70.8\%$
		LV	6/7 [85.7%]	$\geq 47.9\%$
		DS	195/219 [89.0%]	$\geq 84.9\%$
Dose Recovery	$\geq 85\%$	SV	23/24 [95.8%]	$\geq 81.7\%$
		LV	4/9 [44.4%]	$\geq 16.9\%$
		DS	127/225 [56.4%]	$\geq 50.7\%$
	$\geq 80\%$	SV	24/24 [100%]	$\geq 88.3\%$
		LV	9/9 [100%]	$\geq 71.7\%$
		DS	212/225 [94.2%]	$\geq 91.0\%$

The proportion of platelet units of the DS set containing a platelet dose $\geq 3.0 \times 10^{11}$ platelets on Day 5 was 89.0% (195 out of 219), and the lower bound of the 95% CI for the proportion of units containing a platelet dose $\geq 3.0 \times 10^{11}$ platelets was 84.9% (Table 8).

The combined overall results of the two in-vitro studies described above show that INTERCEPT Trima platelets suspended in 100% plasma retain presumptively therapeutically effective mean platelet doses, with retention of adequate in vitro metabolic and functional properties.

CONTRAINDICATIONS

- Contraindicated for preparation of platelet components intended for patients with a history of hypersensitivity reaction to amotosalen or other psoralens.
- Contraindicated for preparation of platelet components intended for neonatal patients treated with phototherapy devices that emit a peak energy wavelength less than 425 nm, or have a lower bound of the emission bandwidth <375 nm, due to the potential for erythema resulting from interaction between ultraviolet light and amotosalen.

Note: Information about these contraindications needs to be included in the labeling provided with transfusable platelets prepared using the INTERCEPT Blood System for platelets.

WARNINGS AND PRECAUTIONS

- Only INTERCEPT Processing Sets for platelets are approved for use with the INTERCEPT Blood System. Use only the INTERCEPT INT100 Illuminator for UVA illumination of amotosalen-treated platelet components. No other source of UVA light may be used. Please refer to the Operator's Manual for the INT100 Illuminator. Discard any platelet components not exposed to the complete INT100 illumination process.
- Tubing components and container ports of the INTERCEPT Blood System contain polyvinyl chloride (PVC). Di(2-ethylhexyl)phthalate (DEHP) is known to be released from PVC medical devices, and increased leaching can occur with extended storage or increased surface area contact. Blood components will be in contact with PVC for a brief period of time (approx. 15 minutes) during processing. The risks associated with DEHP released to into the blood components must be weighed against the benefits of therapeutic transfusion.
- Pulmonary events: Acute Respiratory Distress Syndrome (ARDS)

INTERCEPT processed platelets may cause the following adverse reaction: *Acute Respiratory Distress Syndrome (ARDS)*

An increased incidence of ARDS was reported in a randomized trial for recipients of INTERCEPT processed platelets, 5/318 (1.6%), compared to recipients of conventional platelet components (0/327).²⁸ Monitor patients for signs and symptoms of ARDS.

Note: Information about these Warnings and Precautions needs to be included in the labeling provided with transfusable platelets prepared using the INTERCEPT Blood System for Platelets.

INSTRUCTIONS FOR USE

Initial Setup

Equipment Provided: One (1) INT2510 Dual Storage Processing Set

Equipment Available Separately: INTERCEPT INT100 Illuminator

Equipment Required But Not Provided: Sterile Connecting Device (SCD), Tube Sealer, Flatbed Agitator, Manual Tube Clamp (e.g., Hemostat)

- **INTERCEPT Processing Sets for platelets are for single use only. Do not reuse sets or components of sets.**
- This process is designed to be a functionally closed system. Treatment with INTERCEPT Blood System does not replace applicable standards for processing in open and closed systems.

Blood Collection

Leukocyte reduced platelets collected by apheresis are used. Refer to **Table 9** for specifications of the platelet products which are used with this processing set.

Table 9 Platelet Collection and Processing Specifications for INTERCEPT Dual Storage Processing Set

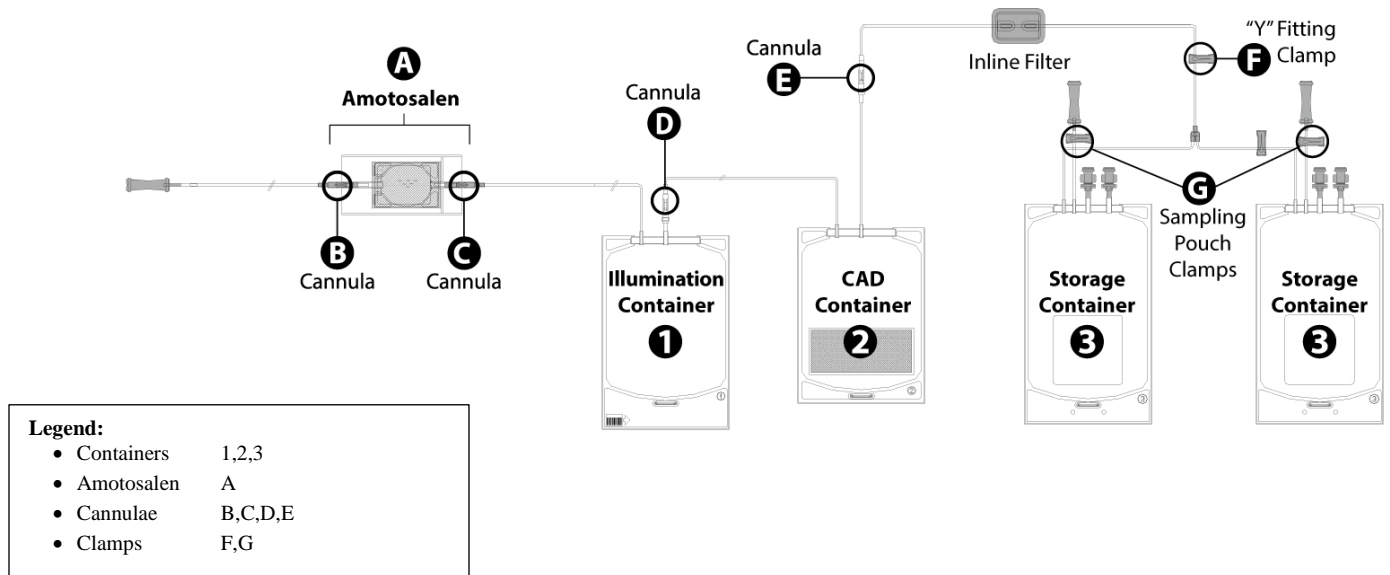
	Platelets in PAS-3		Platelets in 100% Plasma	
Collection Specifications				
Platelet Source	Amicus Apheresis	Amicus Apheresis	Trima Apheresis	Trima Apheresis
Suspension Medium	PAS-3 and plasma (32-47%)	PAS-3 and plasma (32-47%)	100% Plasma	100% Plasma
Platelet Input Volume	300 – 390 mL	375 – 420 mL	300 – 390 mL	375 – 420 mL
Platelet Dose	3.0 – 6.0x10 ¹¹	4.0 – 8.0x10 ¹¹	3.0 – 5.2x10 ¹¹	5.3 – 7.9x10 ¹¹
Platelet Count	0.8 – 2.0x10 ⁹ /mL	0.95 – 2.1x10 ⁹ /mL	0.8-1.7 x 10 ⁹ /mL	1.3-2.0 x 10 ⁹ /mL
RBC Content	< 4x10 ⁶ RBC/mL	< 4x10 ⁶ RBC/mL	< 4x10 ⁶ RBC/mL	< 4x10 ⁶ RBC/mL
Processing Specifications				
Number of Storage Bags	1	1 or 2	1	2
CAD Time	6-16 Hrs	6-16 Hrs	12-24 Hrs	12-24 Hrs
Maximum Storage	5 Days	5 Days	5 Days	5 Days

Platelet Processing

Platelets must be exposed to UVA light within 24 hours after collection.

Refer to **Figure 2** for labeling and identification of set components.

Figure 2 INTERCEPT Dual Storage Processing Set

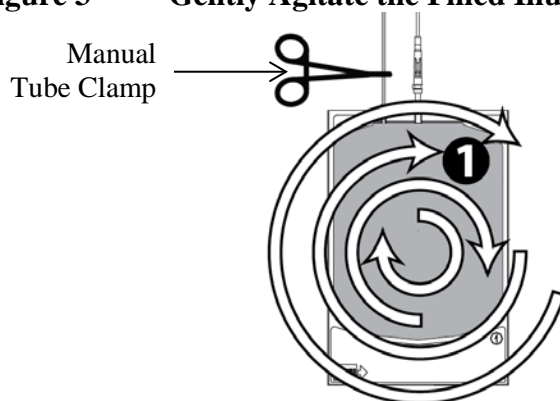


I. Amotosalen Addition

NOTE: Amotosalen in contact with skin may result in photosensitization in the presence of ultraviolet light. If skin exposure occurs, flush exposed skin with water.

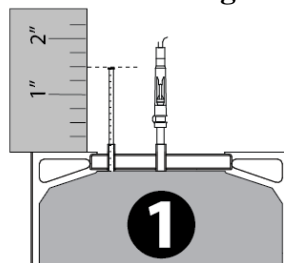
1. Remove set from package. Unwrap only illumination container (**1**) from organizer.
2. Weld tubing from platelet collection container to amotosalen container (**A**) tubing using SCD.
3. Label storage container (**3**) using appropriate donation identification.
4. Hang platelet collection container and break cannula (**C**) below amotosalen container (**A**) to let amotosalen flow into illumination container (**1**); visually verify amotosalen is present.
5. Break cannula (**B**) above amotosalen container (**A**) to let platelets flow through amotosalen container (**A**) into illumination container (**1**).
6. Ensure the platelets drain completely from initial platelet collection container into illumination container (**1**) by expressing air from the illumination container (**1**) into amotosalen container (**A**).
7. When air is removed and platelets have fully drained back through tubing into illumination container (**1**), manually clamp tubing above illumination container. Mix illumination container thoroughly by gentle agitation to ensure complete mixing of amotosalen and platelets (**Figure 3**).

Figure 3 Gently Agitate the Filled Illumination Container



8. Open manual tube clamp and express a small amount of platelet and amotosalen mixture into tubing, filling about 1.5 inches of tubing. Close manual clamp.
9. Seal tubing between illumination container (**1**) and amotosalen container (**A**) within the 1.5 inches of tubing (See **Figure 4**).

Figure 4 Heat Seal Filled Tubing Within 1.5 Inches



10. Remove and discard empty platelet collection container, amotosalen container (**A**) and excess tubing.

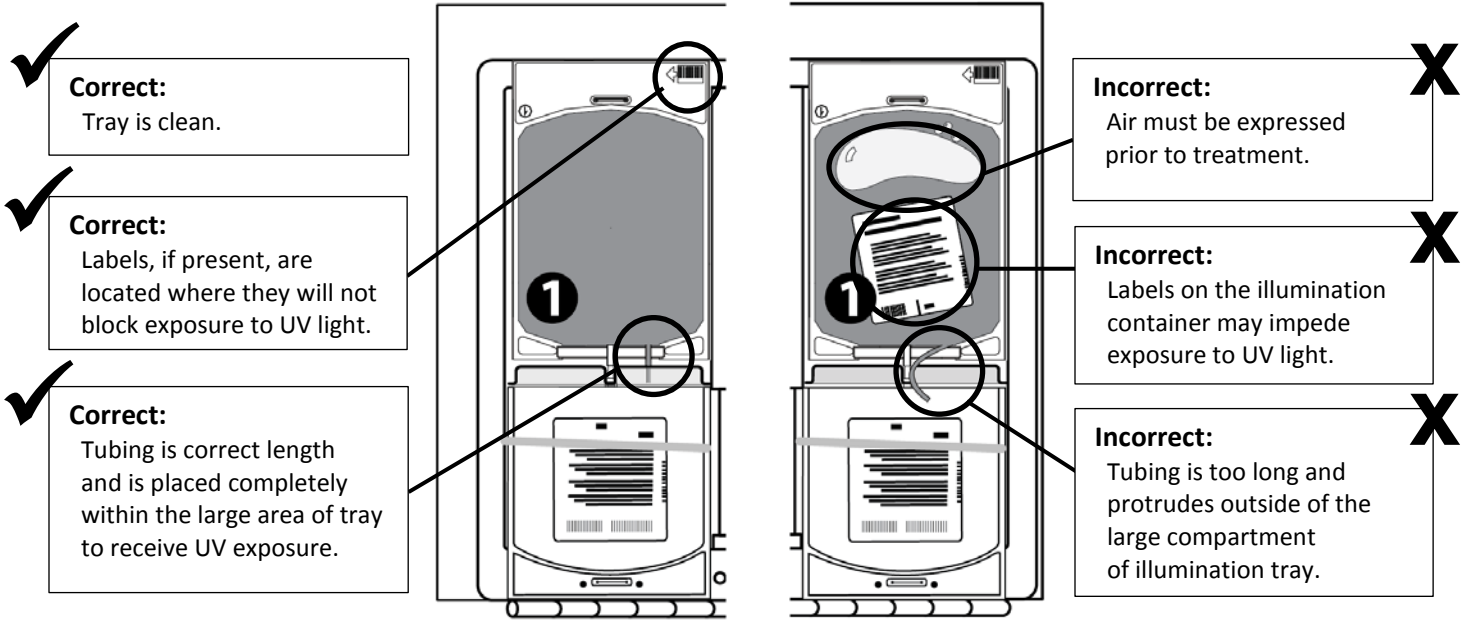
II. Illumination

Refer to INT100 Illuminator Operator's Manual for detailed instructions.

NOTE: The inactivation process requires unimpeded light transmission through tray and illumination container. The illumination container and tubing must be within the large compartment of the illuminator tray. Tray must be clean and free from labels or other material (see **Figure 5**). Illumination container should lay flat in order to ensure complete illumination.

NOTE: During illumination, tubing must be held within large compartment of illumination tray (see below).

Figure 5 Proper Way to Load Processing Set Into the Illuminator Tray



III. Agitation with Compound Adsorption Device (CAD)

Do not fold or bend CAD.

1. Unwrap set from organizer.
2. Hang platelets in illumination container (❶), break cannula (❶) and allow platelets to flow into CAD container (❷).
3. Express air from CAD container (❷) into illumination container (❶). Do not fold or bend CAD.
4. Seal tubing close to inlet port of CAD container (❷).
5. Remove and discard empty illumination container (❶) and excess tubing.
6. Place CAD container (❷) flat on flatbed agitator with attached storage containers for 6-16 hours for Amicus platelets in PAS-3 or 12-24 hours for Trima platelets in 100% plasma. Agitation rate must be at least 60 RPM. Do not stop the process before the minimum time and do not extend the process beyond the maximum allowable time.
7. Do not fold or place storage container (❸), in line filter, or any tubing under CAD container (❷) during agitation.

IV. Transfer to Storage Container

1. Remove platelets from agitator and hang platelets in CAD container (❷).
2. Expel air from platelet sampling pouch into storage container and close clamps (❸).
3. Break cannula (❶) at outlet of CAD container (❷) and allow platelets to flow into each of the two storage containers (❸).
4. Express air from storage containers (❸) into CAD container (❷) and close clamp above the Y fitting.
5. Redistribute volume between storage containers (❸) as needed.
Note: Steps 4 and 5 may be performed in the reverse order.
6. Ensure appropriate donor identification is attached to each filled platelet storage container (❸).
7. Seal tubing close to the outlet of the Y fitting as needed for each therapeutic dose of platelets.
 - For Amicus platelets in PAS-3: If the input platelet dose to the INTERCEPT process is greater than or equal to 6.1×10^{11} , the product should be stored in two separate containers.
 - For Trima platelets in 100% plasma:
 - If the input platelet dose to the INTERCEPT process is greater than or equal to 5.3×10^{11} but smaller than 7.1×10^{11} , the product should be stored in two connected containers.
 - If the input platelet dose to the INTERCEPT process is greater than or equal to 7.1×10^{11} the product should be stored in two separate containers.
8. Remove and discard empty CAD container (❷) and tubing. Place platelets on platelet agitator.

The INTERCEPT treatment process is now complete.

V. Sampling Platelet Product (optional)

1. Mix INTERCEPT treated platelets by gently agitating platelet storage container.
2. Open clamp (❸) to platelet sampling pouch and squeeze several times.
3. Allow sampling pouch to fill with platelets. Seal tubing.
4. Remove sample pouch.
5. Transfer sample to appropriate laboratory tube immediately.

STORAGE AND HANDLING

Processing Sets

- Do not use if tamper-evident package has been opened, signs of deterioration are visible, fluid path closures are loose or not intact, cannulae are broken or if there is no fluid in the amotosalen solution container.
- Protect the processing set package and tubing from sharp objects. Discard platelet product if there is a leak in the set during processing.
- Keep processing sets in the light-protective, aluminum foil pouch until time of use. Protect from direct sunlight and strong UVA light source.
- Do not store processing set above 25°C.
- Do not vent.
- Do not freeze.
- Unused processing sets may be stored for up to 20 days at room temperature (18 – 25°C) in the open aluminum foil pouch by folding and securing the open end of the pouch. Record the “Date Opened” and “Use By” date on the foil pouch label in the space provided. The processing sets removed from the aluminum foil pouch must be used within 8 hours.

Platelet Components

- Platelet components processed with the INTERCEPT Blood System must be stored in the platelet storage container provided in the INT2510 processing sets.
- Processed platelet components may be stored at 20-24°C with continuous agitation for up to 5 days from the day of collection.

NONCLINICAL TOXICOLOGY

Nonclinical studies were conducted in mice, rats and dogs to evaluate the potential toxicity of single and repeated exposures to amotosalen, the synthetic psoralen derivative used in the INTERCEPT process to cross-link DNA and RNA. A single, intravenous injection of amotosalen alone resulted in mortality in rats at doses equal to or greater than 100,000-fold the anticipated human clinical exposure from a single transfusion of INTERCEPT processed platelets as compared on a dose per kilogram body weight basis. Lower doses of amotosalen (12,000- or 60,000-fold greater than the anticipated human clinical exposure in dogs and rats, respectively) were not lethal, and resulted in transient clinical signs of toxicity (i.e. piloerection, inactivity, hunched posture and abnormal breathing in rats, and excessive salivation, swelling of the muzzle and eyelids, and non-lethal cardiac arrhythmias in dogs). No target organ toxicities were noted at necropsy.²⁹

Animal experiments with amotosalen provided no indication of an increased toxicological risk for the use of platelets treated using the INTERCEPT Blood System. Repeat-dose toxicity studies in rats and dogs dosed by daily intravenous injection for 7 to 28 days with amotosalen, at doses with at least 30,000- and 10,000-fold, respectively, the anticipated clinical exposure from transfusion of 300 mL of INTERCEPT Blood System-processed platelets showed no evidence of toxicity.^{29, 30} Transient, minor changes in hematology profiles with no correlating histopathology findings or major organ toxicities were reported in dogs dosed 3 times weekly for 13 weeks with autologous platelets processed with the INTERCEPT Blood System, at a cumulative amotosalen

exposure of approximately 115-fold the anticipated clinical exposure following a single transfusion of 300 mL of INTERCEPT processed platelets.

Amotosalen was rapidly eliminated in mice and rats with an initial plasma $t_{1/2}$ of less than 1 hour. There was no evidence of amotosalen accumulation after repeated exposures over periods as long as 13 weeks. The primary route of excretion of amotosalen and its photoproducts was fecal.²⁹

No effects on fertility parameters were noted in male or female rats dosed with amotosalen. In studies evaluating the effects of amotosalen dosing of pregnant rats or rabbits on embryo-fetal or peri-postnatal development in pregnant rats and rabbits, and in one study dosing neonatal rats with amotosalen, there was no evidence of teratogenicity, or other reproductive or developmental toxicities.³¹

No evidence of genotoxicity or mutagenicity was observed in the *in vitro* or *in vivo* mutagenicity studies of amotosalen. In transgenic mice heterozygous for the p53 tumor suppressor gene, there was no evidence of carcinogenicity after repeated three times weekly dosing with amotosalen for 6 months at cumulative weekly doses approximately 1200 times the daily human exposure from a single 300 mL transfusion of INTERCEPT Blood System-treated platelets.³²

CLINICAL STUDIES

The safety and effectiveness of INTERCEPT processed platelets were investigated in 10 controlled clinical studies.³³⁻⁴² A total of 844 study subjects received INTERCEPT processed platelets in these clinical studies.

Three trials were conducted in healthy volunteers to measure the viability of INTERCEPT processed platelets and the clearance of residual amotosalen.^{33,34} Three studies utilized small doses (15-20 mL) of radiolabelled platelets; and in one study a full therapeutic dose (300 mL) was administered. All platelet components (PCs) were apheresis collections.

The primary endpoint of the three studies with radiolabelled platelets was post-transfusion viability of autologous INTERCEPT processed platelets after 5 days of storage. Autologous platelets from healthy donors prepared with the prototype IBS System (no amotosalen reduction) and stored for 5 days before transfusion demonstrated mean post transfusion recovery 77.8 % of untreated PCs, and mean life span 74.5 % of untreated PCs. Similarly, autologous platelets from healthy donors prepared with the prototype IBS System (with amotosalen reduction) and stored for 5 days before transfusion demonstrated mean post transfusion recovery 84.5 % of untreated PCs and life span 80 % of untreated PCs.

The primary endpoint of the full dose transfusion of INTERCEPT processed platelets was clearance of residual amotosalen. Peak post transfusion amotosalen levels were < 1 ng/ml with clearance kinetics of residual amotosalen median terminal ($T_{50} = 6.5$ hr) with acceptable tolerability after rapid transfusion of a therapeutic platelet dose.³⁴

No clinically relevant adverse events were observed in healthy subjects exposed to small volumes of autologous radiolabeled platelets or after transfusion of 300 mL of autologous INTERCEPT treated platelet components.

A randomized, controlled, double blind, parallel-group study to compare the therapeutic efficacy and safety of INTERCEPT processed apheresis platelet components to conventional apheresis platelet components using a non-inferiority design was conducted in patients requiring 1 or more platelet transfusions to support hypoplastic

thrombocytopenia.³⁵ The study was designed to assess the proportion of patients with Grade 2 bleeding during up to 28 days of platelet transfusion support. A total of 645 patients (318 Test, 327 Reference) received a total of 4719 platelet transfusions (2678 Test, 2041 Reference). There were 186/318 (58.5%) patients in the Test group and 188/327 (57.5%) patients in the Reference group with Grade 2 bleeding. The test result met the efficacy success criteria of the non-inferiority margin of 12.5%. Differences in mean number of transfusions, average interval between transfusions, rates of refractoriness, mean days with Grade 2 bleeding and mean count increment and corrected count increment at 1 and 24 hours were all statistically significantly different favoring the control group. The targeted platelet transfusion dose was 3.7×10^{11} . Sixty percent of the subjects in the INTERCEPT processed platelet group received a platelet dose of less than 3×10^{11} compared to 36% in the control group. Additionally, subjects in the INTERCEPT processed platelet group received off-protocol transfusions (32 vs. 15%) more often than the control group because of protocol violations. In order to assess whether the platelet dose could have impacted all these efficacy endpoint outcomes, a post-hoc analyses on three different subsets of subjects: subjects who received transfusions dose of platelets $\geq 3 \times 10^{11}$, subjects who received off-protocol transfusions, and subsets who received transfusions dose of platelets $\geq 3 \times 10^{11}$ without any off-protocol transfusions was conducted. In all the three subsets, a statistically significant difference was no longer seen in mean days with Grade 2 bleeding and in the mean number of platelet transfusions. Adjusting the platelet dose per unit to $\geq 3 \times 10^{11}$ may overcome the differences of these outcomes seen in the original study analysis.³⁶

There were no differences between treatment groups in the frequencies of Grade 3 and Grade 4 adverse events, serious adverse events, or mortality. Statistically significant differences for increased incidence of four adverse events of Grade 3 and Grade 4 severity were observed among recipients of INTERCEPT processed platelets. These included: pneumonitis not otherwise specified (5 versus 0); ARDS (5 versus 0); hypocalcemia (21 versus 8); and syncope (6 versus 0). A subsequent blinded, retrospective analysis of patients with clinically significant pulmonary adverse events (n = 148) demonstrated no significant increase in incidence of acute lung injury (ALI), including ARDS.⁴³ However a trend of increased ARDS in the patients receiving INTERCEPT processed platelets remained. The causality of these events remains uncertain and an increased risk of ARDS with the INTERCEPT processed platelets cannot be ruled out.

Another randomized, double-blind, controlled, parallel-group trial was conducted to evaluate the efficacy and safety of apheresis INTERCEPT processed platelets prepared with the commercial INTERCEPT system compared to conventional apheresis PCs. A total of 43 adult hematology-oncology patients with hypoplastic thrombocytopenia (22 Test, 21 Reference) were enrolled at 3 study centers. INTERCEPT treatment was used in place of gamma irradiation for 93% of INTERCEPT PCs for prevention of TA-GVHD. A total of 218 platelet components were transfused (103 Test and 115 Reference). The primary endpoint was the 1-hour platelet count increment. There was no excess treatment related morbidity reported among patients supported with INTERCEPT processed platelet components.

A single-arm, open label safety study of 560 INTERCEPT processed platelet transfusions in 51 adult patients with malignant hematology-oncology disorders, including HSCT was conducted to assess the frequency of acute transfusion reactions.³⁸ Platelet concentrates were prepared from either apheresis collections or whole blood derived buffy coat platelets, treated with INTERCEPT in place of gamma irradiation, and stored up to 5 days prior to transfusion. The frequency of acute transfusion reactions was 1.6%. This study was small in size and uncontrolled therefore the rate of acute transfusion reactions cannot be compared with that for conventional platelets.

A single-arm, open label observational study to assess acute transfusion reactions using apheresis “double unit” collections ($5-6 \times 10^{11}$) without gamma irradiation and stored up to 5 days was conducted in 46 adult hematology

patients with malignant disorders, including HSCT.³⁹ A total of 551 INTERCEPT processed platelet transfusions were administered in a Swiss Red Cross blood center. The frequency of acute transfusion reactions was 2%. This study was small in size and uncontrolled therefore the rate of acute transfusion reactions cannot be compared with that for conventional platelets.

Post-Marketing Studies

Safety data were obtained from three hemovigilance (HV) programs in routine use without patient selection: the Cerus hemovigilance program and the regulatory surveillance programs in France and in Switzerland.⁴⁴⁻⁵⁷

The populations monitored in the Cerus hemovigilance studies included 4,067 patients, where 59 patients were under the age of 1 year and 185 patients were 1-18 years of age. 51% of the patients enrolled in these studies were hematology-oncology patients, of which 12% were HSCT patients. Adverse events within 24 hours and serious adverse events within 7 days of platelet transfusion were reported. The frequencies of adverse events attributed to INTERCEPT processed platelet transfusions were not increased compared to conventional platelet transfusions reported in European regulatory hemovigilance programs.

Clinical Experience with Transfusion of INTERCEPT Platelets Suspended in 100% Plasma

Cerus conducted an analysis of the CLI-HV 00079 study to support the current PMA supplement for the use of the INTERCEPT Blood System for platelets suspended in 100% plasma. The final report (CLI-HV 00079-2) included data for 502 INTERCEPT platelet components suspended in 100% plasma. This study was an observational safety study to detect adverse events (AEs) that if imputed as related to the transfusion were classified as transfusion reactions (TR). Adverse events related to failure of hemostasis in thrombocytopenic patients could be reported in this study. Five hundred and two INTERCEPT platelet components were administered to 169 patients. All patients received INTERCEPT platelet components for hematology-oncology related diseases including HSCT (99.4%) or surgery (0.6%).

AEs were observed following transfusion of 5 INTERCEPT components (1.0%) in 4 patients (2.4%). No AEs were classified as “serious” (SAE) following transfusion of INTERCEPT PC. No adverse events related to bleeding or hemostatic failure were reported. The 4 patients who suffered an AE experienced chills (2 patients, 1.2%), pain (1 patient, 0.6%), pyrexia (3 patients, 1.8%) and rash (1 patient, 0.6%). Based on a clinical causality assessment, these AEs were classified as febrile non-hemolytic transfusion reactions with expected signs and symptoms (pyrexia and rash), and HLA antibody associated with lower back pain. The patients recovered from these adverse events on the day of transfusion, no transfusions were interrupted due to any AE or transfusion reaction, and no patients died during the study. The types of AEs were representative of the types of events experienced by patients with transfusion-dependent thrombocytopenia and were consistent with the types of events commonly experienced by patients following transfusion of conventional platelet components according to published data and national hemovigilance programs. No transfusion related acute lung injury (TRALI), transfusion-related sepsis (TRS), or transfusion-associated graft versus host disease (TA-GVHD) were reported. The frequencies of these AEs were comparable to historical data for conventional PCs 100% plasma.^{44-57,58} Transfusions of INTERCEPT PCs were well tolerated during this observational study, and the study provides further clinical data to support the use of the INTERCEPT Blood System with platelets suspended in 100% plasma.

ANSM and Swissmedic Active HV Programs (France and Switzerland)

Since 2009, INTERCEPT processed platelets suspended in PAS-3 (InterSol™) have been monitored in comparison to other types of platelet concentrates (suspended in PAS-3 or in 100% plasma) transfused in France and Switzerland through a national hemovigilance program.⁴⁸⁻⁵⁷ In Switzerland, INTERCEPT processed platelets were phased into routine use during 2011, accounting for approximately 80% of all platelet concentrates transfused that year, and 100% of platelets produced thereafter. No septic transfusion reactions due to bacterial contamination of platelets were observed after the introduction of INTERCEPT processed platelets in France or Switzerland. The number of TRALI reported to the HV systems during the years 2009-2013 is small, and the TRALI rates were similar in both groups. There were 6/187,142 TRALI cases per INTERCEPT processed platelet transfusions, for a TRALI rate of 0.33 per 10,000 platelet transfusion, compared to 37/1,109,135 TRALI cases per conventional platelet transfusions, for a rate of 0.32 per 10,000 platelet transfusions. Limitations of the hemovigilance system include data collection that was limited to only transfusion associated AEs (TRALI, TACO, TAD, etc.) as assessed by the reporter.

REFERENCES

1. Wollowitz, S, Fundamentals of the psoralen-based Helinx technology for inactivation of infectious pathogens and leukocytes in platelets and plasma. *Seminars in Hematology*, 2001. 38 (Suppl 11): p. 4-11.
2. Schmidt, MS, B Kapzrak, et al., Efficiency of the pathogen inactivation system INTERCEPT under experimental conditions. *Vox Sang*, 2011. 101(Suppl 1): p. 226.
3. Nussbaumer, W, D Allersdorfer, et al., Prevention of transfusion of platelet components contaminated with low levels of bacteria: a comparison of bacteria culture and pathogen inactivation methods. *Transfusion*, 2007. 47(7): p. 1125-33.
4. Lin, L, CV Hanson, et al., Inactivation of viruses in platelet concentrates by photochemical treatment with amotosalen and long-wavelength ultraviolet light. *Transfusion*, 2005. 45: p. 580-590.
5. Dupuis, K, D Arnold, et al., High titers of dengue virus in platelet concentrates are inactivated by amotosalen and UVA light. *Transfusion*, 2012. 52((3S)): p. 225A.
6. Tsetsarkin, KA, A Sampson-Johannes, et al., Photochemical inactivation of chikungunya virus in human apheresis platelet components by amotosalen and UVA light. *Am J Trop Med Hyg*, 2013. 88(6): p. 1163-9.
7. Sawyer, L, K Dupuis, et al., Inactivation of influenza A H5N1 and Lymphocytic Choriomenigitis virus (LCMV) by the INTERCEPT Blood System (IBS). *Transfusion*, 2008. 48(2S): p. 88A.
8. Roback, J, CMV Safety of Platelet Products: Comparison of Inactivation of INTERCEPT Blood System and Removal of Leukofiltration. *Transfusion*, 2007a. 47(S3): p. 23A.
9. Roback, J, Inactivation of Infectious CMV in Platelet Products: Comparison of Inactivation of INTERCEPT Blood System and Leukofiltration. *Blood*, 2007b. 110(11): p. 849A.
10. Jordan, CT, N Saakadze, et al., Photochemical treatment of platelet concentrates with amotosalen hydrochloride and ultraviolet A light inactivates free and latent cytomegalovirus in a murine transfusion model. *Transfusion*, 2004. 44: p. 1159-1165.
11. Lin, L, Inactivation of cytomegalovirus in platelet concentrates using Helinx™ technology. *Semin Hematol*, 2001. 38(4 Suppl 11): p. 27-33.
12. Singh, Y, L Sawyer, et al., Photochemical treatment of plasma with amotosalen and UVA light inactivates pathogens while retaining coagulation function. *Transfusion*, 2006. 46: p. 1168-1177.
13. Pinna, D, A Sampson-Johannes, et al., Amotosalen photochemical inactivation of severe acute respiratory syndrome coronavirus in human platelet concentrates. *Transfus Med*, 2005. 15(4): p. 269-76.
14. Steiert, M and A Brussels, Evaluation of viral and bacterial inactivation in platelet concentrates suspended in 100% plasma treated with the INTERCEPT Blood System. *Vox Sang*, 2008. 95(Suppl 1): p. 301.
15. Lin, L, R Dikeman, et al., Photochemical treatment of platelet concentrates with amotosalen and UVA inactivates a broad spectrum of pathogenic bacteria. *Transfusion*, 2004. 44: p. 1496 - 1504.

16. Sawyer, L, C Kodner, et al., Inactivation of transfusion-transmitted vector-borne pathogens. *Vox Sang*, 2009. 96(S1): p. 233.
17. Stramer, SL, FB Hollinger, et al., Emerging infectious disease agents and their potential threat to transfusion safety. *Transfusion*, 2009. 49(August 2009 Supplement): p. 1S - 29S.
18. Grellier, P, J Benach, et al., Photochemical inactivation with amotosalen and long-wavelength ultraviolet light of Plasmodium and Babesia in platelet and plasma components. *Transfusion*, 2008. 48: p. 1676-1684.
19. Van Voorhis, WC, LK Barrett, et al., Trypanosoma cruzi inactivation in human platelet concentrates and plasma by a psoralen (amotosalen HCl) and long-wavelength UV. *Antimicrob Agents Chemother*, 2003. 47(2): p. 475-9.
20. Eastman, RT, LK Barrett, et al., Leishmania inactivation in human pheresis platelets by a psoralen (amotosalen HCl) and long-wavelength ultraviolet irradiation. *Transfusion*, 2005. 45(9): p. 1459-63.
21. AABB, Standards for Blood Banks and Transfusion Services, in Process Control 2014, AABB: Bethesda, MD
22. Corash, L and L Lin, Novel processes for inactivation of leukocytes to prevent transfusion-associated graft-versus-host disease. *Bone Marrow Transplantation*, 2004. 33: p. 1-7.
23. Lin, L, L Corash, et al., Protection against TA-GVHD due to platelet transfusion by using pathogen inactivation with the INTERCEPT Blood System: gamma irradiation is not the only answer. *Haematologica*, 2010. 95 (Suppl 1): p. 230-237.
24. Hei, DJ, J Grass, et al., Elimination of cytokine production in stored platelet concentrate aliquots by photochemical treatment with psoralen plus ultraviolet A light. *Transfusion*, 1999. 39: p. 239-48.
25. Grass, JA, DJ Hei, et al., Inactivation of leukocytes in platelet concentrates by psoralen plus UVA. *Blood*, 1998. 91: p. 2180-88.
26. Luban, NL, D Drothler, et al., Irradiation of platelet components: inhibition of lymphocyte proliferation assessed by limiting-dilution analysis. *Transfusion*, 2000. 40(3): p. 348-52.
27. Pelszynski, MM, G Moroff, et al., Effect of gamma irradiation on T-cell inactivation as assessed by limiting dilution analysis: Implications for preventing transfusion associated graft vs. host disease. *Blood*, 1994. 83: p. 1683-1689.
28. Snyder, E, J McCullough, et al., Clinical safety of platelets photochemically treated with amotosalen HCl and ultraviolet A light for pathogen inactivation: the SPRINT trial. *Transfusion*, 2005. 45(12): p. 1864-75.
29. Ciaravino, V, T McCullough, et al., The role of toxicology assessment in transfusion medicine. *Transfusion*, 2003. 43: p. 1481-1492.
30. Ciaravino, V, T McCullough, et al., Pharmacokinetic and toxicology assessment of INTERCEPT (S-59 AND UVA treated) platelets. *Human and Experimental Toxicology*, 2001. 20: p. 533-550.
31. Ciaravino, V, J Hannover, et al., Assessment of safety in neonates for transfusion of platelets and plasma prepared with amotosalen photochemical pathogen inactivation treatment by a one-month intravenous toxicity study. *Transfusion*, 2009. 49: p. 985-994.
32. Tice, RR, D Gatehouse, et al., The pathogen reduction treatment of platelets with S-59 HCl (Amotosalen) plus ultraviolet A light: genotoxicity profile and hazard assessment. *Mutation Research*, 2007. 630(1-2): p. 50-68.
33. Snyder, E, T Raife, et al., Recovery and Lifespan of 111 Indium radiolabeled platelets treated with pathogen inactivation using amotosalen HCl (S-59) and UVA light. *Transfusion*, 2004. 44: p. 1732-1440.
34. Corash, L, V Paton, et al., S-59 clearance and kinetics after transfusion of platelets treated with Helinx™ Technology. *Transfusion*, 2000. 40(S10): p. 137.
35. McCullough, J, DH Vesole, et al., Therapeutic efficacy and safety of platelets treated with a photochemical process for pathogen inactivation: the SPRINT Trial. *Blood*, 2004. 104(5): p. 1534-41.
36. Slichter, SJ, TJ Raife, et al., Platelets photochemically treated with amotosalen HCl and ultraviolet A light correct prolonged bleeding times in thrombocytopenic patients. *Transfusion*, 2006. 46: p. 731-740
37. Janetzko, K, JP Cazenave, et al., Therapeutic efficacy and safety of photochemically treated apheresis platelets processed with an optimized integrated set. *Transfusion*, 2005. 45(9): p. 1443-1452.

38. Schlenke, P, W Hagenah, et al., Safety and clinical efficacy of platelet components prepared with pathogen inactivation in routine use for thrombocytopenic patients. *Ann Hematol*, 2011. 90(12): p. 1457-65.
39. Infanti, L, C Stebler, et al., Pathogen-inactivation of platelet components with the INTERCEPT Blood System : a cohort study. *Transfus Apher Sci*, 2011. 45(2): p. 175-81.
40. van Rhenen D J, H Gulliksson, et al., Transfusion of pooled buffy coat platelet components prepared with photochemical pathogen inactivation treatment: the euroSPRITE trial. *Blood*, 2003. 101: p. 2426-2433.
41. Slichter, SJ, RM Kaufman, et al., Dose of prophylactic platelet transfusions and prevention of hemorrhage. *N Engl J Med*, 2010. 362: p. 600-613.
42. Sigle, JP, L Infanti, et al., Comparison of transfusion efficacy of amotosalen-based pathogen-reduced platelet components and gamma-irradiated platelet components. *Transfusion*, 2013. 53(8): p. 1788-97.
43. Corash, L, JS Lin, et al., Determination of acute lung injury following repeated platelet transfusions. *Blood*, 2011. 117(3): p. 1014-1020.
44. Osselaer, JC, JP Cazenave, et al., An active haemovigilance programme characterizing the safety profile of 7437 platelet transfusions prepared with amotosalen photochemical treatment. *Vox Sang*, 2008. 94(4): p. 315-23.
45. Osselaer, JC, N Messe, et al., A prospective observational cohort safety study of 5106 platelet transfusions with components prepared with photochemical pathogen inactivation treatment. *Transfusion*, 2008. 48(6): p. 1061-71.
46. Osselaer, JC, C Doyen, et al., Universal adoption of pathogen inactivation of platelet components: impact on platelet and red blood cell component use. *Transfusion*, 2009. 49(7): p. 1412-22.
47. Cazenave, JP, H Isola, et al., Use of additive solutions and pathogen inactivation treatment of platelet components in a regional blood center: impact on patient outcomes and component utilization during a 3-year period. *Transfusion*, 2011. 51(3): p. 622-9.
48. Cazenave, JP, H Isola, et al., Pathogen Inactivation of Platelets, in *Platelet Transfusion Therapy*, J.D. Sweeney and M. Lozano, Editors. 2013, AABB Press: Bethesda, MD. p. 119-176.
49. Agence Francaise de Securite Sanitaire des Produits de Sante, Rapport Annuel Hemovigilance, in *Rapport Annuel Hemovigilance 2009*.
50. Agence Francaise de Securite Sanitaire des Produits de Sante, Rapport Annuel Hemovigilance, in *Rapport Annuel Hemovigilance 2010*.
51. Agence Francaise de Securite Sanitaire des Produits de Sante, Rapport Annuel Hemovigilance, in *Rapport Annuel Hemovigilance 2011*.
52. Agence Francaise de Securite Sanitaire des Produits de Sante, Rapport Annuel Hemovigilance, in *Rapport Annuel Hemovigilance 2012*.
53. Agence Francaise de Securite Sanitaire des Produits de Sante, Report Annuel Hemovigilance, in *Report Annuel Hemovigilance 2013*.
54. Swissmedic, Haemovigilance Annual Report, 2010.
55. Swissmedic, Haemovigilance Annual Report, 2011.
56. Swissmedic, Haemovigilance Annual Report, 2012.
57. Swissmedic, Haemovigilance Annual Report. 2013.
58. Cohn, CS, Stubbs, J, et al., A comparison of adverse reaction rates for PAS C versus plasma platelet units. *Transfusion* 2014;54:1927-34

Manufactured for:

Cerus Corporation
 2550 Stanwell Drive
 Concord, CA 94520 USA

Cerus, INTERCEPT, and INTERCEPT Blood System are trademarks of Cerus Corporation